

VCD-7010M/VCD-7040S Volume Controls

As the fidelity of line voltage systems have improved to meet the needs of customers, AudioTrak has taken a step forward in ensuring the aesthetics of products like the VCD-7010M exceed the market demands for fit and finish. Featuring white, metal decorative styling, gold-plated wire terminations and an impressive 35 Hz to 20 kHz frequency response, the VCD-7010M is in the forefront of options clients look to for their upscale commercial installations. The exceptional audio quality and architect approved look make the VCD-7010M your best choice for your next installation.



VCD-7010M



VCD-7040S

Features

- 25 / 70-volt capable
- Handles up to 10 watts
- Extended frequency response
- Gold-plated wire terminations
- Attractive decorative styling
- 40-watt RMS stereo operation
- Handles up to 40 watts
- 25 / 70-volt
- Extended frequency response
- Gold-plated wire terminations
- Attractive decorative styling

Specifications

	VCD-7010M	VCD-7040S
Primary Voltage	25 / 70-volt	25 / 70-volt
Primary Voltage Taps	25 volts, 3.5 watts 70 volts, 10 watts	25 volts, 3 watts 70 volts, 40 watts
Frequency Response	35 Hz to 20 kHz ±2 dB	35 Hz to 20 kHz ±2 dB
Insertion Loss	0.5 dB maximum	0.5 dB maximum
Total Attenuation	30 dB	30 dB
Attenuation Steps	10 (OFF inclusive)	10 (OFF inclusive)
Attenuation Per Step	OFF to 3; 6 dB each; 3 to 10; 3 dB each	OFF to 3; 6 dB each; 3 to 10; 3 dB each
Dimensions (H x W x D)	4.53 x 1.61 x 3.15 inches; 115 x 41 x 80 mm	4.53 x 1.61 x 3.15 inches; 115 x 41 x 80 mm
Mounting Hole Centers	3.82 inches; 97 mm	3.82 inches; 97 mm
Weight	6.7 oz; 192 g	13.5 oz; 384 g

Architectural and Engineering Specifications

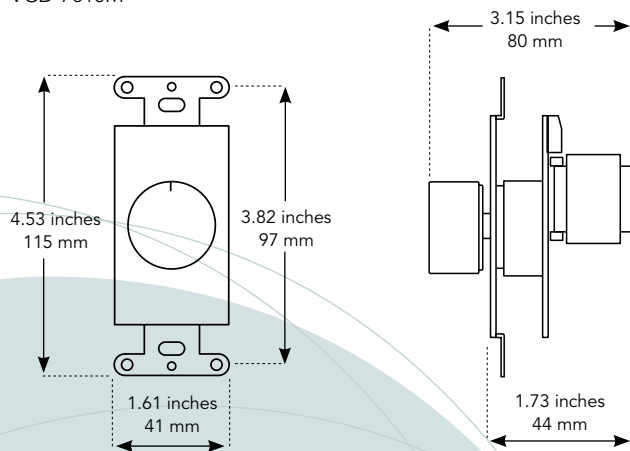
VCD-7010M

The volume control shall be an AudioTrak VCD-7010M. The volume control shall be an auto transformer type attenuator providing 33 dB of attenuation over 11 steps (OFF, included). Steps 1 to 3 shall provide 6 dB each of attenuation while steps 3 through 10 shall provide 3 dB each. The volume control shall be 25 volts, 3.5 watts or 70 volts, 10 watts capable and shall come complete with gold-plated, screw terminal wire connections capable of handling up to 12 AWG wire. Overall frequency response of the volume control shall be 35 Hz to 20 kHz (±2 dB) with a maximum insertion loss of 0.5 dB. The auto transformer shall be mounted to a white metal, decorative style wall plate, and come complete with a white (ABS) knob. Overall dimensions for the volume control shall be (H x W x D), 4.52 x 1.61 x 3.15 inches; 115 x 41 x 80 mm (knob included) and have mounting hole centers at 3.82 inches; 97 mm. The complete volume control assembly shall weigh 6.7 oz; 192 g.

VCC-7040S

The volume control shall be an AudioTrak VCD-7040S. The volume control shall be a stereo auto transformer type attenuator providing 30 dB of attenuation over 10 steps (off, included). Steps 1 to 3 shall provide 6 dB each of attenuation while steps 3 through 10 shall provide 3 dB each. The volume control shall have two independent line voltage transformers which shall be 25 volts, 3.5 watts or 70 volts, 40 watts capable each, and shall come complete with gold-plated screw terminal wire connections capable of handling up to 12 AWG wire. Overall frequency response of the volume control shall be 35 Hz to 20 kHz (±2 dB) with a maximum insertion loss of 0.5 dB. The auto transformer shall be mounted to a white metal decorative style wall plate, and come complete with a white (ABS) knob. Overall dimensions for the volume control shall be (H x W x D), 4.53 x 1.61 x 3.15 inches; 115 x 41 x 80 mm (knob included) and have mounting hole centers at 3.82 inches; 97 mm. The complete volume control assembly shall weigh 13.5 oz; 384 g.

VCD-7010M



VCC-7040S

