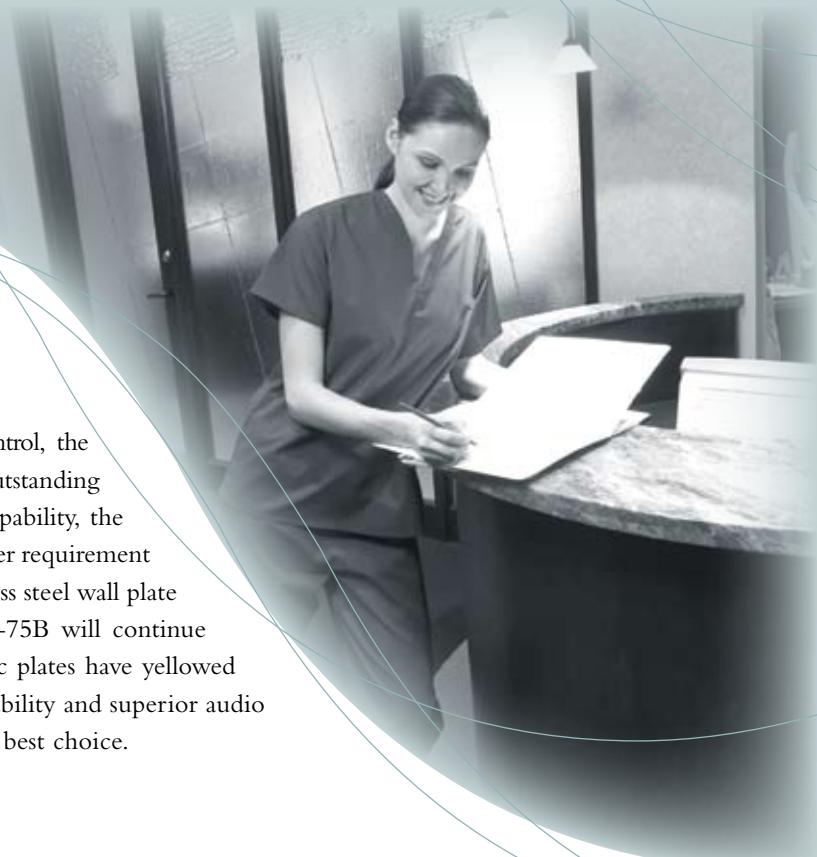


VC-27B/VC-35B/VC-75B Volume Controls

For systems requiring local area volume control, the AudioTrak VC-27B, VC-35 and VC-7B are outstanding choices. Featuring multi-tap transformer capability, the VC-27B is able to adapt to virtually any power requirement in any job. Mounting on a single gang, stainless steel wall plate ensures that the VC-27B, VC-35B and VC-75B will continue to look factory fresh long after white plastic plates have yellowed with age. If your job calls for flexibility, durability and superior audio fidelity, AudioTrak volume controls are your best choice.



VC27B and VC35B



VC75B

Features

- 25 / 70-volt capable
- Single gang stainless steel mounting plate
- Gold-plated wire connections
- Multi-tap transformer
- Handles up to 20 watts (VC-27B); 35 watts (VC-35B); 75 watts (VC-75B)

Specifications

	VC-27B	VC-35B	VC-75B
Primary Voltage	25 / 70 volts	25 / 70 volts	25 / 70 volts
Primary Voltage Taps	25 volts, 7 watts 70 volts, 5 / 10 / 20 watts	25 volts, 12 watts 70 volts, 35 watts	25 volts, 25 watts 70 volts, 75 watts
Frequency Response	100 Hz to 12 kHz ±3 dB	100 Hz to 12 kHz ±3 dB	100 Hz to 12 kHz ±3 dB
Insertion Loss	2 dB maximum	0.5 dB maximum	0.5 dB maximum
Total Attenuation	33 dB	30 dB	33 dB
Attenuation Steps	10 plus OFF	10 (OFF inclusive)	11 (OFF inclusive)
Attenuation Per Step	1 to 2; 6 dB; 3 to 10; 3 dB	OFF to 3; 6 dB each; 3 to 9; 3 dB each	OFF to 3; 6 dB each; 3 to 10; 3 dB each
Dimensions (H x W x D)	4.7 x 2.8 x 2.95 inches; 116 x 71 x 75 mm	4.57 x 2.8 x 2.95 inches; 116 x 71 x 75 mm	.57 x 4.57 x 3.3 inches; 116 x 116 x 84 mm
Mounting Hole Centers	3.27 inches; 83 mm	3.27 inches; 83 mm	3.27 inches; 83 mm
Weight	14.5 oz; 410 g	242 g; 8.5 oz	24 oz; 680 g

Architectural and Engineering Specifications

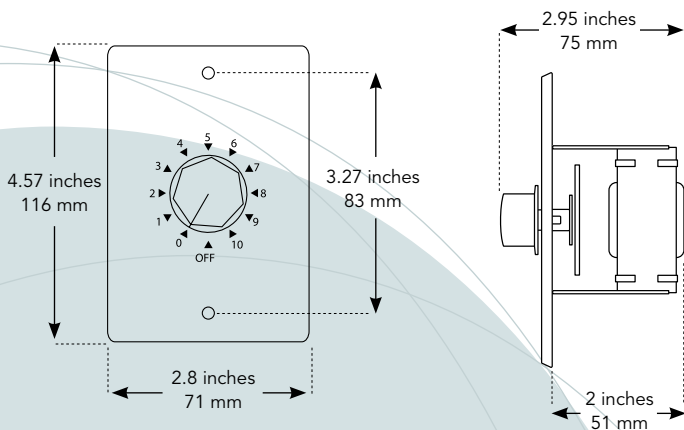
VC27B/VC35B

The volume control shall be an AudioTrak model VC-27B. The volume control shall be an auto transformer type attenuator providing 33 dB of attenuation over 10 steps. Steps 1 and 2 shall provide 6 dB of attenuation while steps 3 through 10 shall provide 3 dB each. The volume control shall be 25 volts, 7 watts, or 70 volts, 20 watts capable and shall provide three primary taps at 5, 10, or 20 watts for 70-volt operation. For 25-volt operation the 20-watt primary lead can be used to allow up to a maximum 7 watts at 25 volts. Overall frequency response of the volume control shall be 100 Hz to 12 kHz (± 3 dB) with a maximum insertion loss of 2 dB. The auto transformer shall be mounted to a single gang, stainless steel wall plate complete with a silk screened volume scale (black), and come complete with a black skirted knob. Overall dimensions for the volume control shall be (H x W x D), 4.57 x 2.8 x 2.95 inches; 116 x 71 x 75 mm, and have mounting hole centers at 3.27 inches; 83 mm. The complete volume control assembly shall weigh 14.5 oz; 410 g.

VC75B

The volume control shall be an AudioTrak model VC-35B. The volume control shall be an auto transformer type attenuator providing 30 dB of attenuation over 10 steps (OFF, inclusive). Steps 2 and 3 shall provide 6 dB of attenuation, while steps 3 through 9 shall provide 3 dB each. The volume control shall be 25 volts, 12 watts or 70 volts, 35 watts capable and shall come complete with gold-plated, screw terminal wire connections capable of handling up to 12 AWG wire. Overall frequency response of the volume control shall be 100 Hz to 12 kHz (± 3 dB) with a maximum insertion loss of 0.5 dB. The auto transformer shall be mounted to a single gang, stainless steel wall plate complete with a silk screened volume scale (black), and come complete with a black skirted (ABS) knob. Overall dimensions for the volume control shall be (H x W x D), 4.57 x 2.8 x 2.95 inches; 116 x 71 x 75 mm (knob inclusive), and have mounting hole centers at 3.27 inches; 83 mm. The complete volume control assembly shall weigh 8.5 oz; 242 g.

VC27B/VC35B



VC75B

