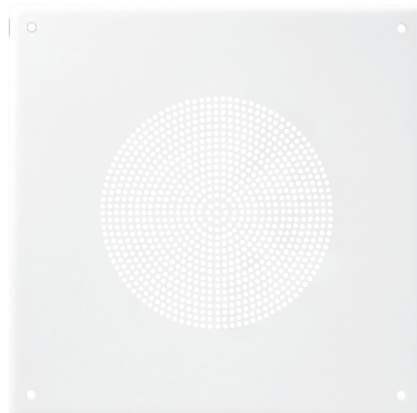


BRM11/BSM25 Round and Square Baffles

Leading the line of AudioTrak speaker baffles is the industry favorite BRM11 and BSM25. The semi-gloss, white finish and slim, contoured profile make these baffles a favorite for commercial and industrial installations. Metal construction ensures long-term durability and acoustic transparency is achieved through the vibration-resistant, one-piece design. For a proven winner, choose the AudioTrak BRM11 or BSM25 for your next job.



BRM11



BSM25

Features

- Round metal construction
- Spot-welded speaker mounts
- Contoured profile
- Baked enamel finish

Specifications

	BRM11	BSM25
Construction	Metal	Steel
Finish	White enamel	White enamel
Speaker Mount Studs	7.64 inches; 194 mm diagonal centers	7.64 inches; 194 mm diagonal centers
Baffle Mounting Holes	11.3 inches; 287 mm diagonal centers	11 inches; 279 mm lateral centers
Dimensions (L x W x D)	-	12.5 x 12.5 x 0.2 inches; 318 x 318 x 5 mm (including speaker studs)
Diameter	12.75 inches; 324 mm	-
Depth	0.2 inches; 5 mm (not including speaker studs)	-
Speaker Stud Length	0.7 inches; 18 mm	0.71 inches; 18 mm
Stud Diameter	8 - 32 threads	8 - 32 threads
Weight	13.6 oz; 480 g	21.4 oz; 608 g

Architectural and Engineering Specifications

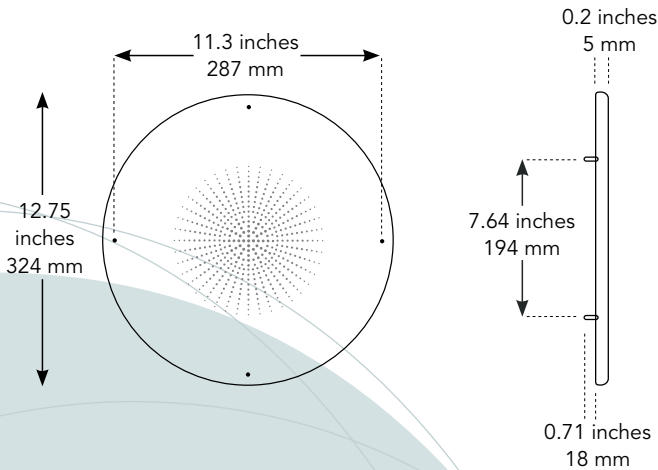
BRM11

The speaker baffle shall be an AudioTrak model BRM11. The baffle shall be round, metal, one-piece construction with a white, semi-gloss, enamel finish. The baffle shall have speaker mounting studs at 7.64 inches; 194 mm diagonal centers and baffle mounting screw holes at 11.3 inches; 287 mm. The overall baffle dimensions shall be 12.75 inches; 324 mm in diameter and 0.375 inches; 5 mm in depth (not including speaker studs) with a total weight of 13.6 oz; 480 g.

BSM25

The speaker baffle shall be an AudioTrak model BSM25. The baffle shall be square, metal construction with a white, semi-gloss enamel finish. The baffle shall have speaker mounting studs at 7.64 inches; 194 mm diagonal centers and baffle mounting screw holes at 10.98 inches; 279 mm lateral centers. The overall baffle dimensions shall be a square measuring 12.5 inches; 317 mm on each side and be 0.2 inches; 5 mm in depth (not including speaker studs), with a total weight of 21.4 oz; 608 g.

BRM11



BSM25

